

ZOLL®


LifeBand® Load-distributing Band

Product Insert

The LifeBand Load-distributing Band (LDB) consists of a cover plate and band integrated with a compression pad. Attached to the AutoPulse® Platform, the LifeBand is automatically adjusted to the patient by the Platform and provides compressions to the patient's chest in the region of the heart.

Preparing the AutoPulse System for Use

The AutoPulse System requires a new LifeBand to be installed after each patient use. This insert summarizes the steps for removal and installation of the LifeBand. Before operating the AutoPulse System, read the User Guide, AutoPulse Resuscitation System Model 100 and User Guide, AutoPulse Battery Charger.

 **Caution:** the LifeBand is a single-use item.

Inquiries to:
ZOLL Circulation
2000 Ringwood Avenue
San Jose, CA 95131 USA

CH REP ZOLL Medical Switzerland
A.G. Bahnhofstrasse 20
6300, Zug Switzerland

EC REP EU Authorized Representative
ZOLL International Holding B.V.
Einsteinweg 8A
6662 PW ELST
The Netherlands

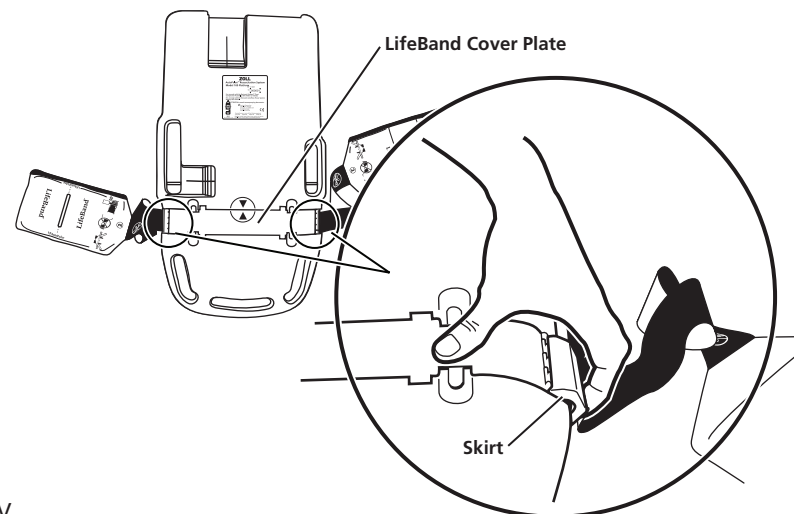


ZOLL Circulation ©2022 Printed in USA

Removing the LifeBand

1

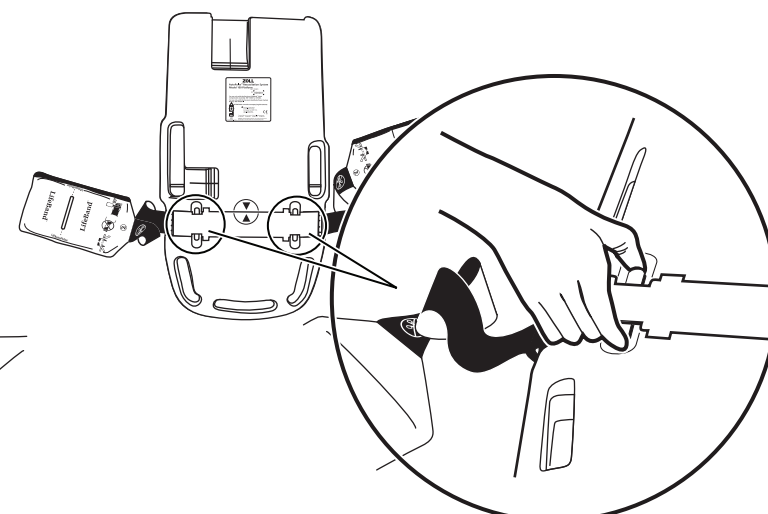
Flip up the LifeBand Hinged Skirts



1. Place the AutoPulse Platform with Patient Surface side down, on a flat surface.
2. Flip up the hinged skirts of the LifeBand Cover Plate to disengage the LifeBand chest bands from the rollers. You will hear the skirt "snap" into retracted position; this is normal.

2

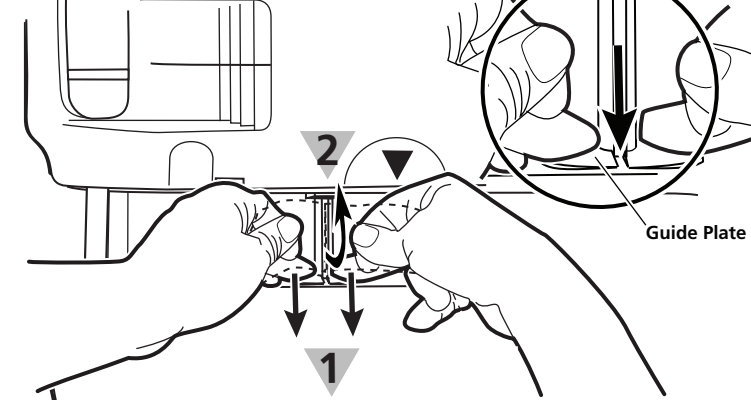
Pinch the LifeBand Locking Tabs



1. Using both hands, pinch together the locking tabs of the LifeBand Cover Plate and firmly pull the plate straight up and away from the AutoPulse Platform.

3

Remove the LifeBand from the AutoPulse Platform

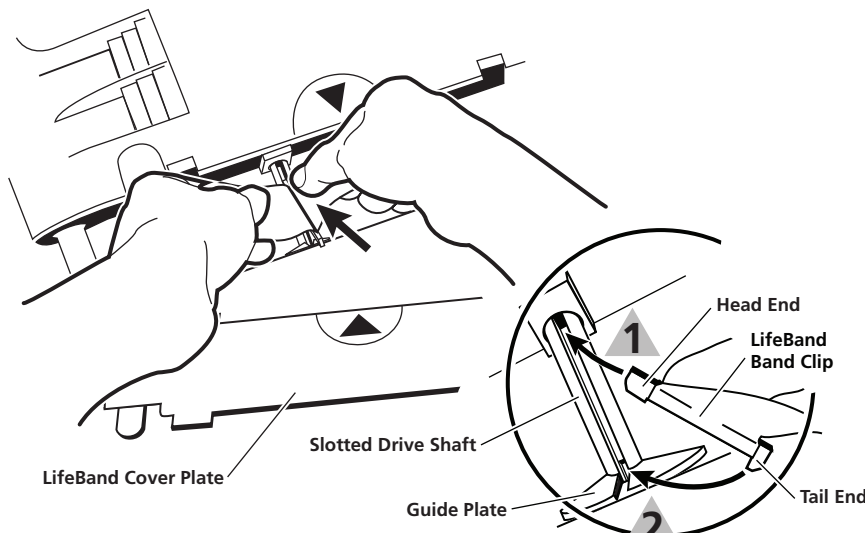


1. Rotate the Drive Shaft to align the slot to face directly upward.
2. Grasp the LifeBand chest bands with the thumb and index finger of both hands, on either side of the LifeBand Band Clip. **1** Push in the Guide Plate, using both middle fingers. Keeping the Guide Plate pushed in, **2** pull up the Band to remove the clip from the shaft.
3. Discard the used LifeBand, as it is a single-use component after patient use. Treat the LifeBand as a contaminated medical waste and dispose of it accordingly. There are no user-serviceable parts.
4. Replace the LifeBand as described in the procedure below: *Installing the LifeBand*.

Installing the LifeBand

1

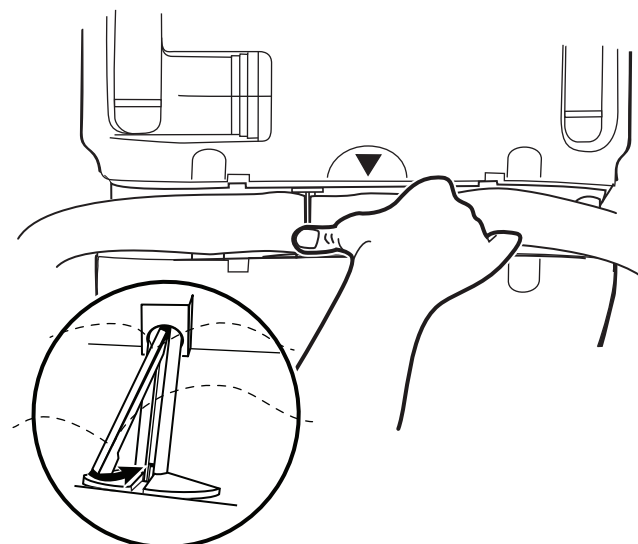
Slide the Band Clip into the Drive Shaft Slot



1. Place the AutoPulse Platform with Patient Surface side down, on a flat surface.
2. **1** Insert the Head end of the LifeBand Band Clip into the Drive Shaft Slot. The correct direction is towards the LifeBand® Plate alignment arrow seen on the Platform.

2

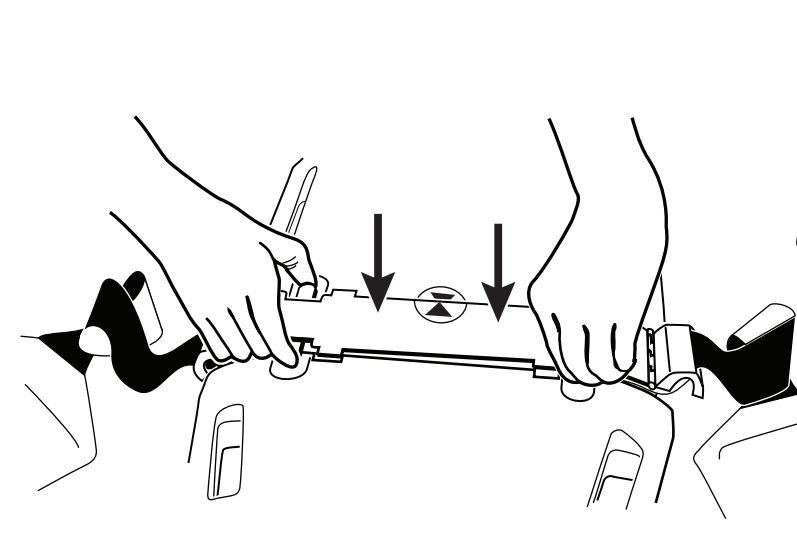
Seat the Band Clip



1. **2** Press the Tail End of the LifeBand Band Clip into the slot of the Guide Plate until the Band Clip is fully seated in the Drive Shaft. You should feel the Band Clip lock into place.
2. To check that the LifeBand Band Clip is properly seated, slightly rotate the Drive Shaft in either direction by hand.

3

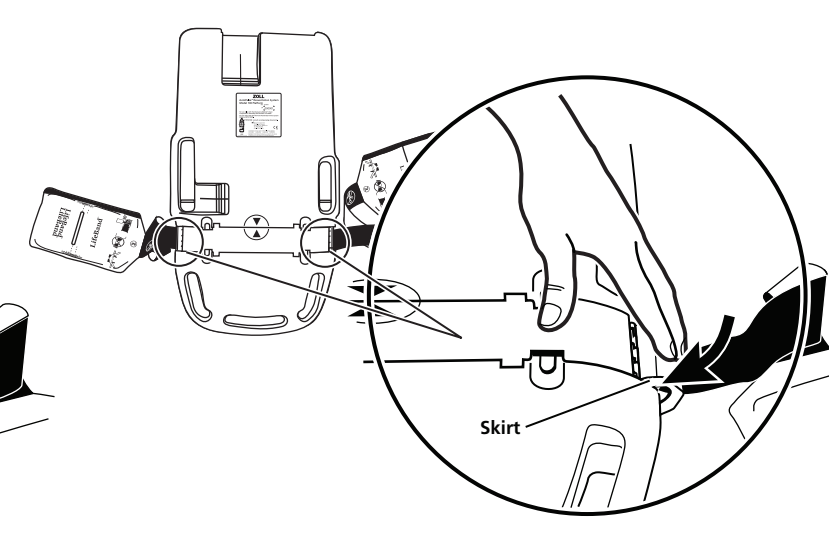
Snap the LifeBand Cover Plate into Place



1. Ensure both free ends of the LifeBand chest band are oriented flat (not twisted) and away from the AutoPulse Platform.
2. Line up the arrow on the LifeBand Cover Plate with the matching arrow on the Platform.
3. Snap the LifeBand Cover Plate in place by fully inserting the locking tabs into the slots on the AutoPulse platform.

4

Flip Down the LifeBand Skirts and check Installation



1. Flip down and snap into place the hinged skirts of the LifeBand Cover Plate to engage the LifeBand chest bands to the rollers.
2. Turn the AutoPulse Platform over and press the on/off button to power it up. If the User Control Panel reports a fault, check the installation of the LifeBand Band Clip into the slot in the Drive Shaft. See **2**.